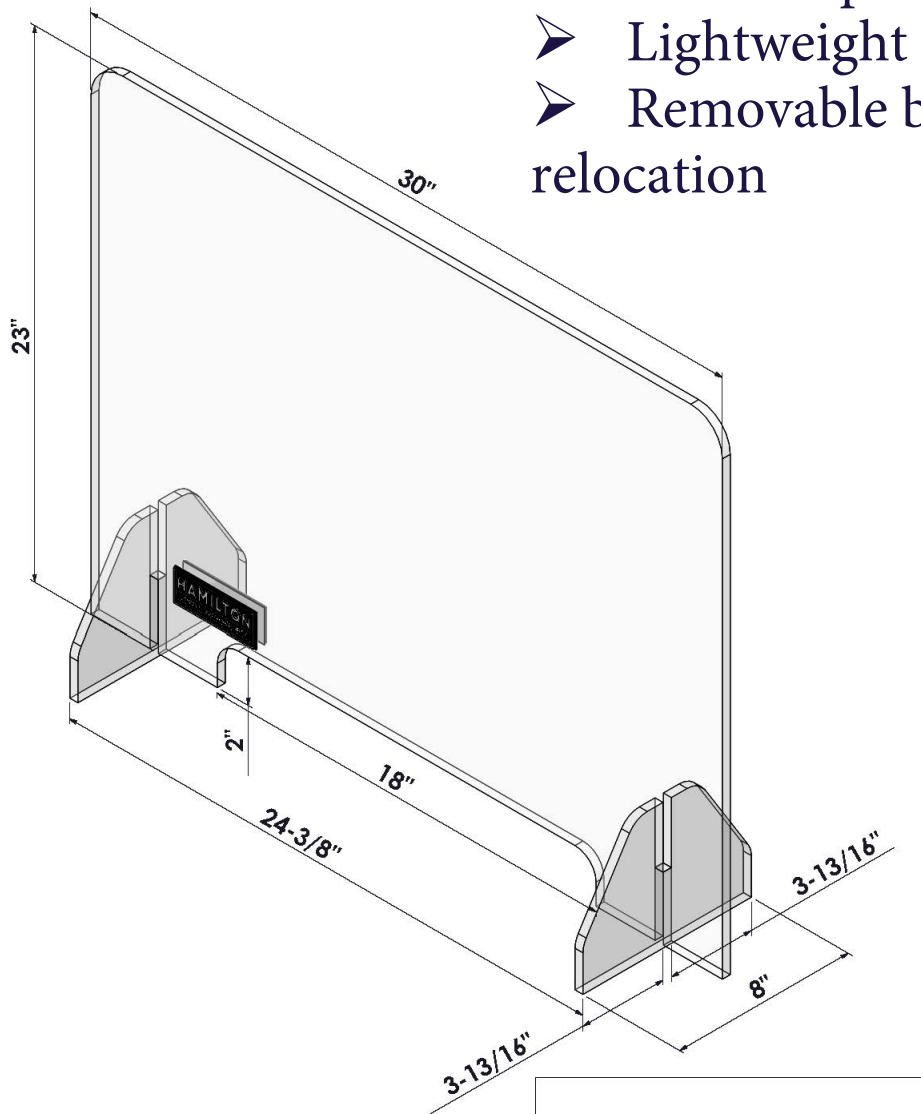


Clear Acrylic Sneeze Guard: Standard

- 23"H x 30"W x 8" Base
- Barrier against germs
- Clear site lines
- Impact resistant
- 18" wide pass thru
- Lightweight and portable
- Removable base for easy relocation



Mission Essential Solutions to Protect What's Important to You!
Serving the Government for Over 30 Years.

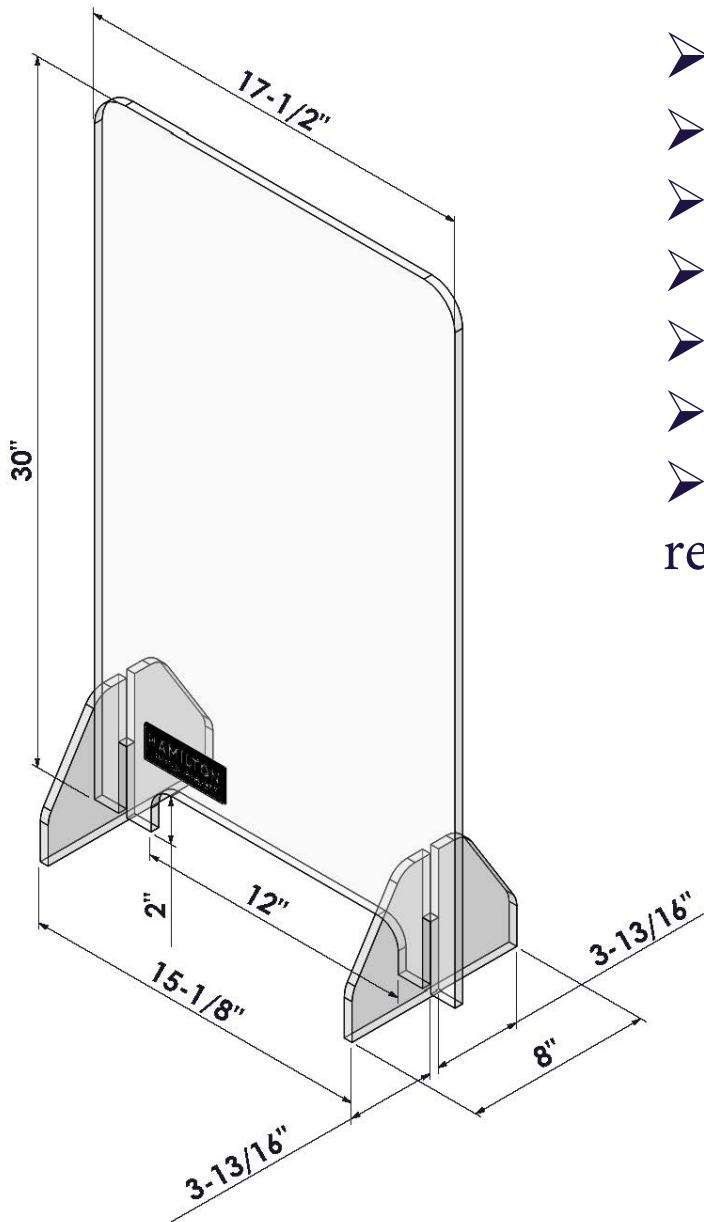
HAMILTON
PRODUCTS GROUP, INC.



1030 Roundbottom Road, Milford, Ohio 45150 | 513.874.3733 | hamiltonproductsgroup.com

©2022 HPG

Clear Acrylic Sneeze Guard: Narrow



- 30"H x 17 1/2"W x 8" Base
- Barrier against germs
- Clear site lines
- Impact resistant
- 12" wide pass thru
- Lightweight and portable
- Removable base for easy relocation

Mission Essential Solutions to Protect What's Important to You!
Serving the Government for Over 30 Years.

HAMILTON
PRODUCTS GROUP, INC.



1030 Roundbottom Road, Milford, Ohio 45150 | 513.874.3733 | hamiltonproductsgroup.com

©2022 HPG